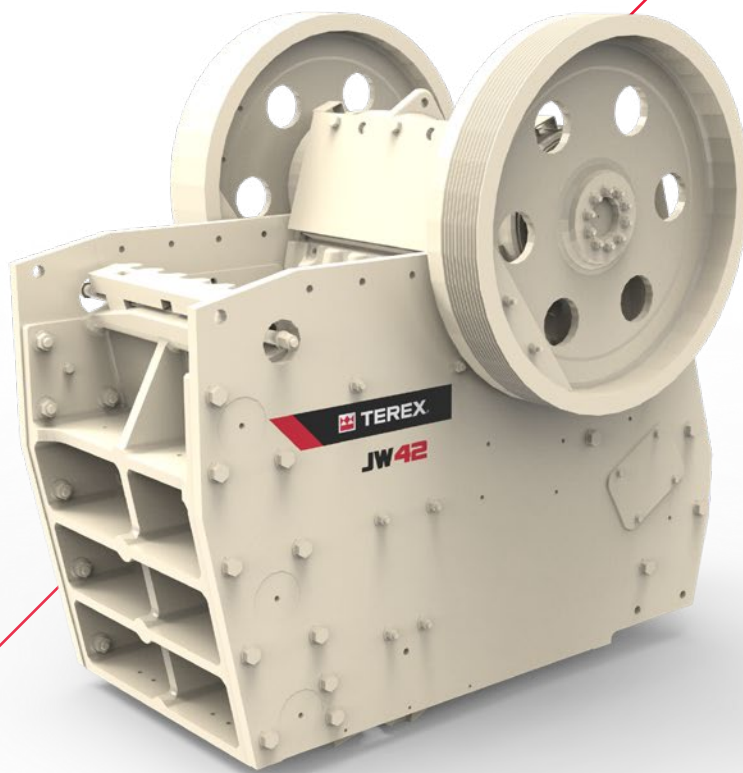


CEDARAPIDS®
A TEREX BRAND

Jaw Crushers

JW Series



Cedarapids® Static

JW Series Jaw Crushers

The JW Series is engineered for portability and ease of use. The rugged design delivers the reliability you can expect from Cedarapids. They feature a hydraulically actuated wedge system that allows variable closed side-setting adjustments to be made quickly and easily.

Designed to suit track, mobile or static plant installations, these durable crushers utilize heavy duty components for optimum operation and long life.

Typical applications for our single toggle jaw crushers are in mining, quarrying and recycling. The jaw is designed to crush in the most arduous applications with the hardest rock.

Highlights

- High production
- Aggressive crushing action
- High strength bolted mainframe design
- Full hydraulic setting adjustment
- Complete range of jaw profiles to suit all applications

Simple maintenance

Jaw-faces are retained by a mechanical wedge locking system removing the need to access bolts behind the cast front end frame of the crusher. Replaceable backing plates protect the jaw die seating areas on the front end frame and swing jaw holder.

Long life, low maintenance and reduced operating cost

Robust frame design and large diameter, forged main shaft with no threads or sharp radii that can cause stress concentrations.

Smooth and efficient crushing

High inertia and well balanced flywheels.

Bearings kept free from dust and water

Grease-purged labyrinth dust seals.

Easy adjustment

Full hydraulic CSS adjustment through opposing tapered wedges and hydraulic tension rod.

Even distribution of crushing forces across the jaw locations

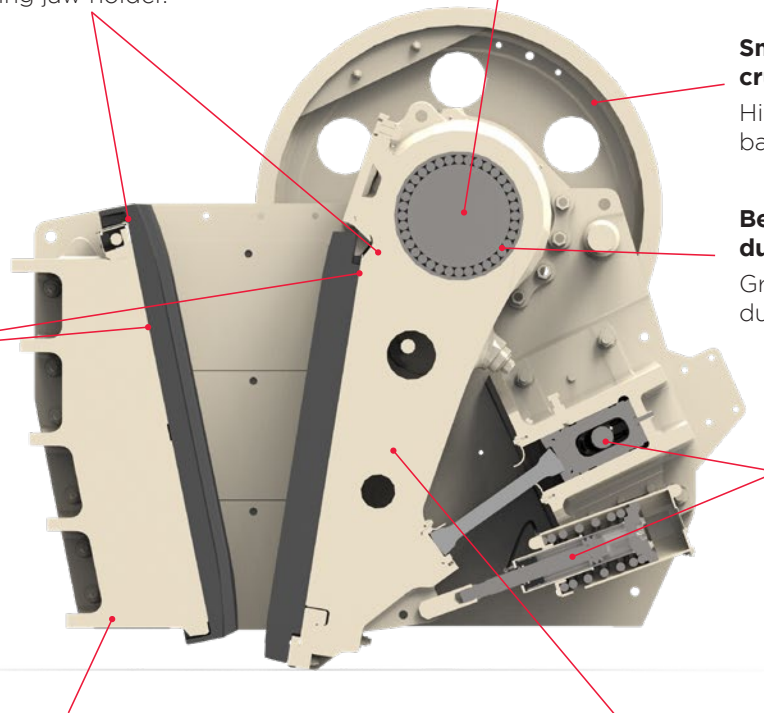
Front end frame and swingstock surfaces protected by replaceable seat liner plates.

Simple installation

Adaptable mounting arrangement suitable for static or mobile installation.

Reliable operation with minimal downtime

Precision machined cast jaw-holder, "rolling-end" non-lubricated toggle and self aligning spherical roller bearings combine with a high strength shaft and mainframe to provide extreme reliability which has become well known in the industry.



Main Frame

The main frame is a heavy-duty design, fully field-tested under arduous conditions.

The frame is a fully bolted and dowelled four-piece structure. Both the front and rear frames are cast high strength steel with the side plates produced from high strength structural plate.

Closed Side Setting Adjustment

The crusher closed side setting is infinitely adjustable within setting limits through the actuation of hydraulically controlled wedges and tension rod spring. The wedge assembly is fully contained within the crusher frame.

A hydraulic power pack, positioned close to the crusher, provides push button control.

Main shaft

The main shaft is of large diameter and is forged from hardened and tempered alloy steel to suit heavy-duty applications. The shaft has high fatigue resistance because of its quality surface finish and the absence of screw threads and sharp radii that can cause stress concentrations.

Bearings

Heavy-duty self-aligning double row roller bearings are used for both the jaw-holder and main frame.

Dust seals

Grease purged labyrinth dust seals.

Jaw-holder

The jaw-holder is a robust, one-piece alloy steel casting for high strength and durability.

Jaws

Reversible high quality cast manganese jaws guarantee long service.

The back faces of the jaws are machined for firm support.

The front end frame and swing jaw holder are protected from wear and damage at the inlet and discharge ends, due to the overlapping design of the jaw dies.

Replaceable backing plates protect the jaw die seating areas on the front end frame and swing jaw holder.

At the top of the jaw-holder, a guard protects the bearing housing.

A comprehensive range of jaw-face profiles are matched with the right manganese alloys to maximize crushing performance, jaw life and reduce operating costs.

Jaw-face retention

The fixed jaw die is retained by a side access wedge locking system, eliminating the need to access jaw wedge retention bolts at the back of the front end frame.

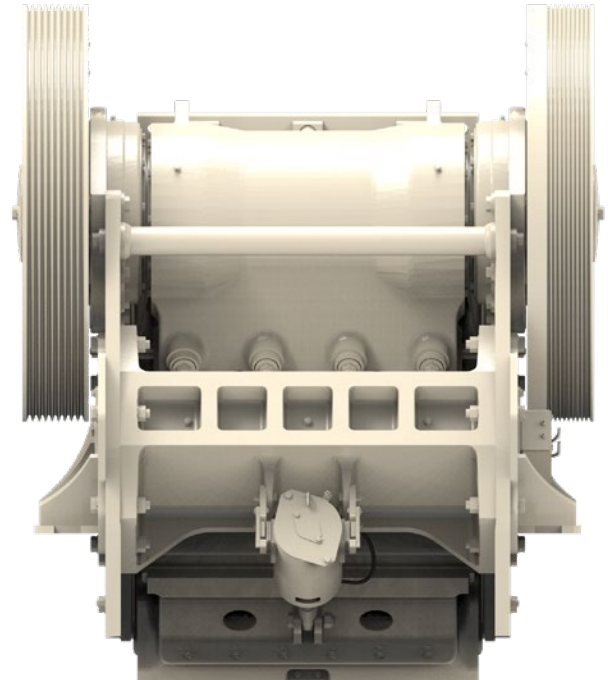
Toggle

The toggle rolls across the flat pressure face of the toggle seat. There is no rubbing or scuffing and friction is kept to a minimum. This toggle system has the following advantages:

- No lubrication is required
- The system can handle high crushing pressures
- Increased life of the toggle and seats

Machine robustness and rigidity

Cedarapids® JW Series single toggle jaw crushers have been designed using our long experience in manufacturing machines to handle exceptionally heavy and continuous loads in mining, quarrying, and concrete demolition applications. Heavy-duty self-aligning double-row roller bearings in both the swing jaw and main frame, a heavy-duty alloy forged shaft, cast jaw-holder and a heavy-duty, bolted and dowelled main frame all work together to meet these demands.

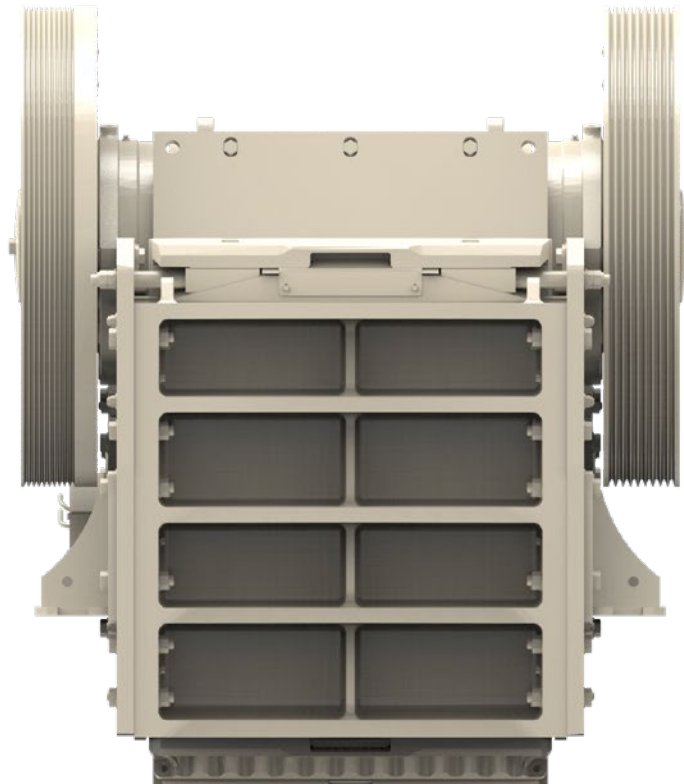


Standard Features

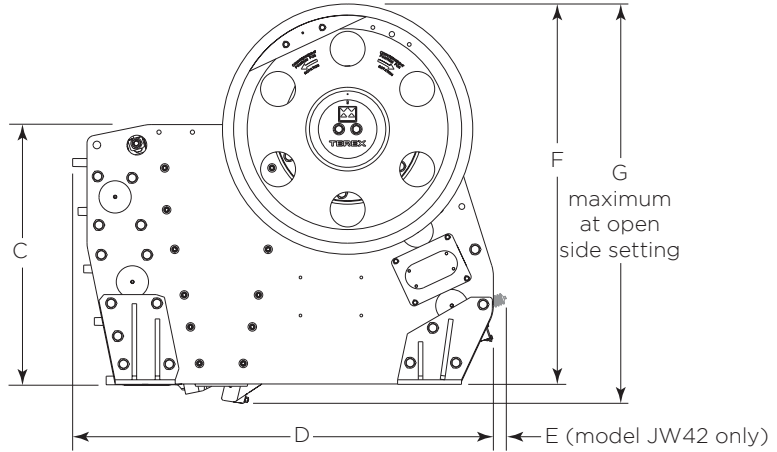
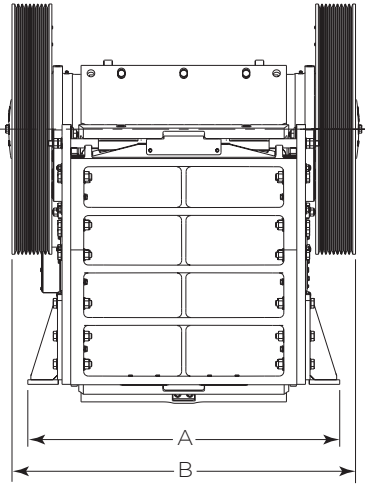
- Hydraulic wedge jaw adjustment
 - Internally mounted hydraulics
- Hydraulic tension rod
- Electric/hydraulic adjust unit
- Quick change jaw die wedge system
 - Side access to stationary die
- High strength frame
 - Four-piece bolted and dowelled construction
 - Cast steel front and rear sections
 - High strength structural steel side sections
 - Machined jaw die support faces
- Three-piece side cheek plates
- Reversible corrugated jaw dies
 - Wrap around full height stationary jaw die
 - Lift slots cast into jaw dies
 - Extended jaw die frame protection
- Robust swing jaw design
 - Cast steel swing jaw body
 - Large spherical self-aligning roller bearings
 - Large drop forged steel shaft
- Replaceable jaw backing plates
- Bolt-on support feet

Optional Equipment

- V-belt drive
- Electric motor
- Mid-mount bolt-on support feet



Dimensions & Specifications



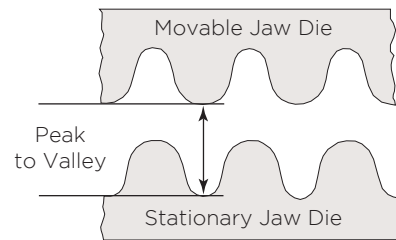
| Model | A | B | C | D | E | F | G |
|-------|------------------|------------------|------------------|-------------------|-----------------|------------------|-------------------|
| JW42 | 65" (1656 mm) | 75" (1912 mm) | 67" (1707 mm) | 100" (2546 mm) | 3.5" (83 mm) | 95" (2412 mm) | 98" (2493 mm) |
| JW55 | 81" (2050 mm) | 89" (2258 mm) | 68" (1713 mm) | 109" (2765 mm) | - | 99" (2500 mm) | 104" (2625 mm) |

Footnote: Dimensions shown are approximate only and are subject to change. Use only certified installation drawings for construction purposes.

| Model | Weight | HP | RPM | Jaw Opening | Flywheel Diameter | Flywheel Face | Stationary Jaw Length | Movable Jaw Length |
|-------|-------------------------|-----------------|-----|------------------------------|-------------------|-----------------|-----------------------|--------------------|
| JW42 | 39,100 lb (17740 kg) | 150 (110 kW) | 265 | 30" x 42" (760 x 1070 mm) | 55" (1400 mm) | 10" (250 mm) | 66" (1665 mm) | 68" (1720 mm) |
| JW55 | 57,860 lb (26250 kg) | 200 (150 kW) | 250 | 32" x 55" (820 x 1400 mm) | 65" (1650 mm) | 11" (275 mm) | 70" (1775 mm) | 69" (1750 mm) |

| Model | Minimum (closed) | Measured* (open) | Maximum (closed) | Measured* (open) |
|-------|------------------|-------------------|------------------|-------------------|
| JW42 | 3" (75 mm) | 4.25" (110 mm) | 7" (175 mm) | 8.25" (210 mm) |
| JW55 | 3.5" (85 mm) | 4.75" (120 mm) | 8" (200 mm) | 9.25" (235 mm) |

*Measure at rest (open) position.



Measure from peak of movable to valley of stay.

Capacity

The JW Series of single toggle jaw crushers is designed with a tight crushing chamber nip angle and an aggressive crushing stroke to maximize productivity.

The accompanying table gives typical outputs for our range of machines, based on dry, free flowing material with a crushing work index of 16 and a bulk density of 100 lbs/cu ft (1600 kg/cu m).

The table requires careful interpretation for particular materials and applications as machine capacity can be greatly affected by material properties and method of feeding.

| Model | CSS | Approximate Capacities* | | | | | | | | | | |
|-------|------|-------------------------|---------------|--------------|----------------|--------------|----------------|--------------|----------------|--------------|--------------|--------------|
| | | 3" 75 mm | 3.5" 88 mm | 4" 100 mm | 4.5" 115 mm | 5" 125 mm | 5.5" 140 mm | 6" 150 mm | 6.5" 165 mm | 7" 175 mm | 8" 200 mm | 9" 225 mm |
| JW42 | STPH | 155 - 175 | 180 - 205 | 210 - 235 | 245 - 270 | 270 - 295 | 305 - 340 | 325 - 360 | 355 - 400 | 375 - 425 | | |
| | MTPH | 135 - 160 | 165 - 185 | 190 - 210 | 220 - 240 | 240 - 265 | 275 - 305 | 290 - 320 | 315 - 355 | 355 - 380 | | |
| JW55 | STPH | | 255 - 290 | 295 - 330 | 345 - 380 | 380 - 410 | 430 - 475 | 455 - 500 | 495 - 560 | 525 - 595 | 610 - 675 | 685 - 760 |
| | MTPH | | 230 - 255 | 265 - 295 | 310 - 340 | 340 - 370 | 380 - 425 | 405 - 450 | 440 - 500 | 470 - 530 | 545 - 605 | 610 - 680 |

*Approximate throughput in Short tons per hour and Metric Tonnes per hour
(1 short ton [Stph] = 2000 lb; 1 metric tonne [MtpH] = 2204 lb)
Closed side setting is measured peak to valley of corrugations.

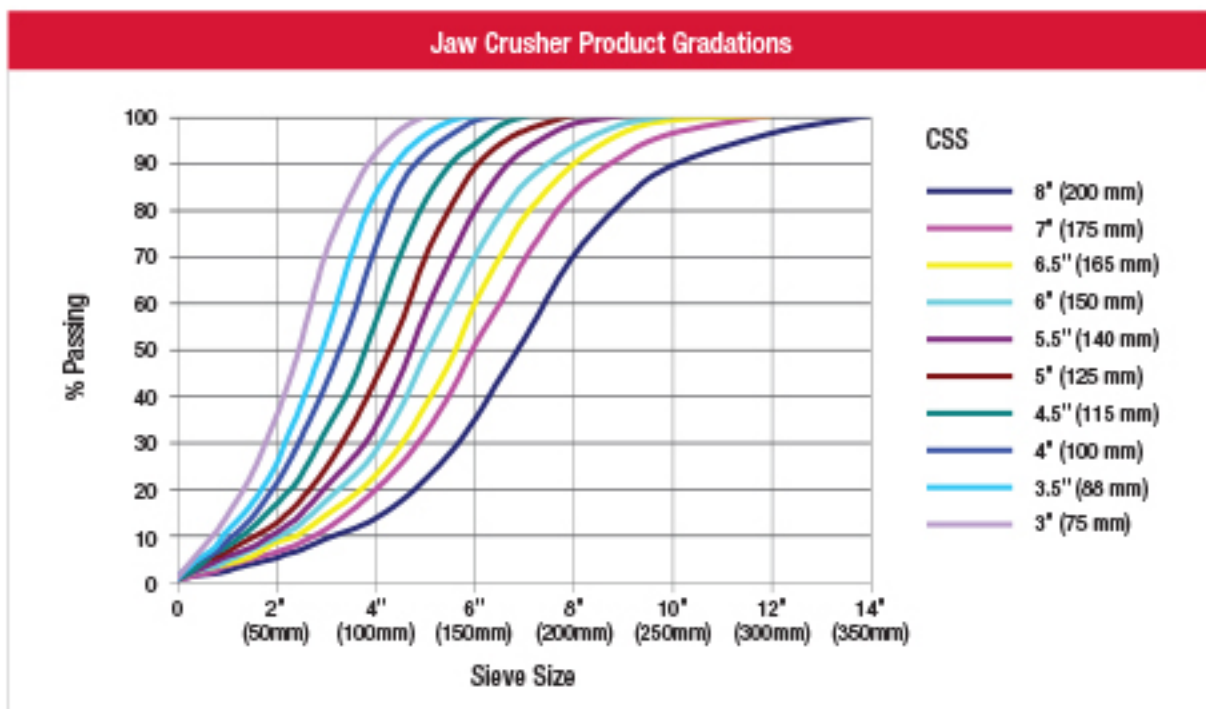
Product Gradation

The curves shown give an indication of the likely product and are based on material of medium hardness with a crushing work index of 16. Factors that markedly affect results are:

- Structure of material
- Compressive strength or crushing work index of material
- Grading of crusher feed
- Degree of pre-scalping
- Choke versus irregular or low rate of feed

We are pleased to examine specific applications and advise on the likely results from our machines.

Footnote: These product curves are to be used as a guide only. Crusher product is dependant on feed material properties. Please consult Terex MPS for advice on product gradations for specific feed materials.



Versatility for Your Application



MODULAR



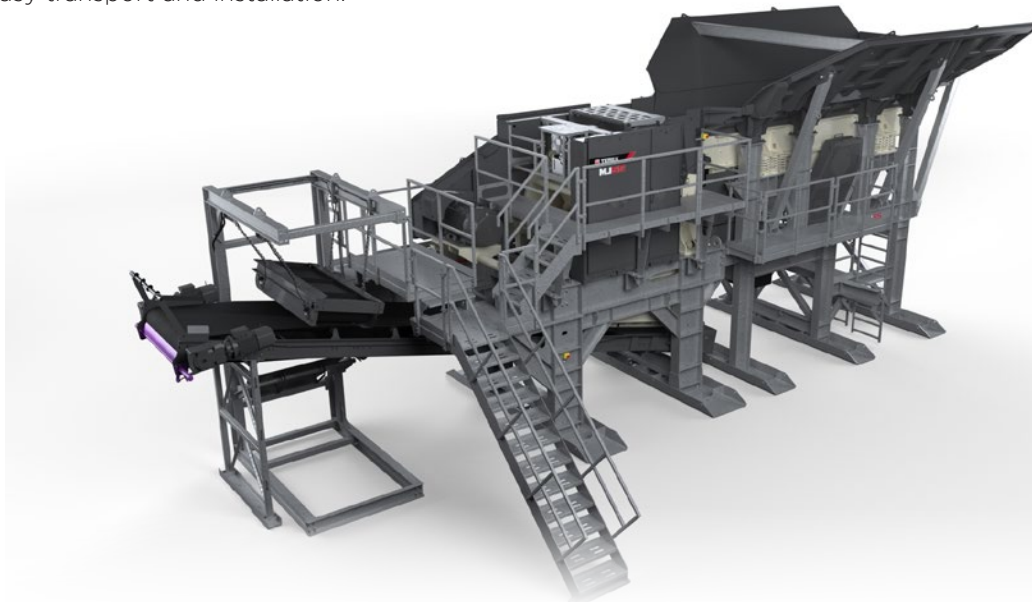
PORTABLE



STATIC

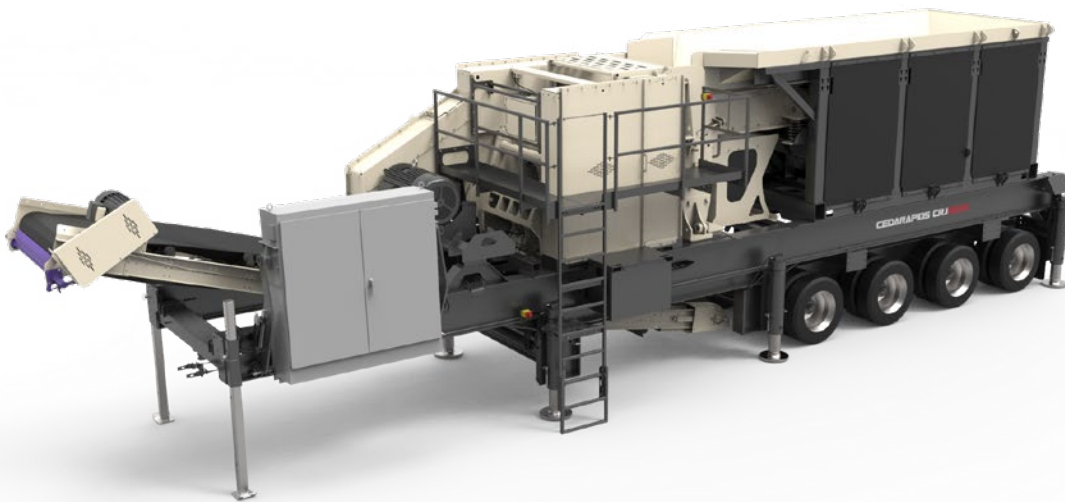
Available as static jaw crushers for a custom fit for your application or available in pre-engineered modular and portable options for easy transport and installation.

Modular



| Model | Main Components | Motor Size | Capacity (MTPH) | Shipping Configuration |
|-------|--|-----------------|-----------------------|---|
| MJ42 | JW42 (30" x 42") Jaw Crusher, 40" x 14' Feeder | 150 hp (110 kW) | 155-480 (140-435) | (3) 40ft shipping containers |
| MJ55 | JW55 (32" x 55") Jaw Crusher, 52" x 20' Feeder | 200 hp (150 kW) | 255 - 760 (231 - 690) | (6) 40ft shipping containers plus (1) flat rack |

Portable



| Model | Main Components | Motor Size | Capacity (MTPH) | Suspension | Weight lbs (Kg) |
|---------|--|-----------------|-----------------------|------------|-------------------------|
| CRJ3042 | JW42 (30" x 42") Jaw Crusher, 42" x 20' Feeder | 150 hp (110 kW) | 155 - 480 (140-435) | 3 Axle | 92,625 lbs (42,015 Kg) |
| CRJ3255 | JW55 (32" x 55") Jaw Crusher, 52" x 20' / 24' Feeder | 200 hp (150 kW) | 255 - 760 (231 - 690) | 4 Axle | 135,585 lbs (61,500 Kg) |

www.terexmps.com
mpsmarketing@terex.com

Product specifications and prices are subject to change without notice or obligation. The photographs and/or drawings in this document are for illustrative purposes only. Refer to the appropriate Operator's Manual for instructions on the proper use of this equipment.

Failure to follow the appropriate Operator's Manual when using our equipment or failure to act responsibly may result in serious injury or death.

The only warranty applicable to our equipment is the standard written warranty applicable to the particular product and sale, and Terex makes no other warranty, express or implied. Terex, the Terex Crown design, Cedarapids, Canica, Simplicity, Jaques, El-Jay and Rollercone are trademarks of Terex Corporation or its subsidiaries. All rights are reserved. © January 2021

